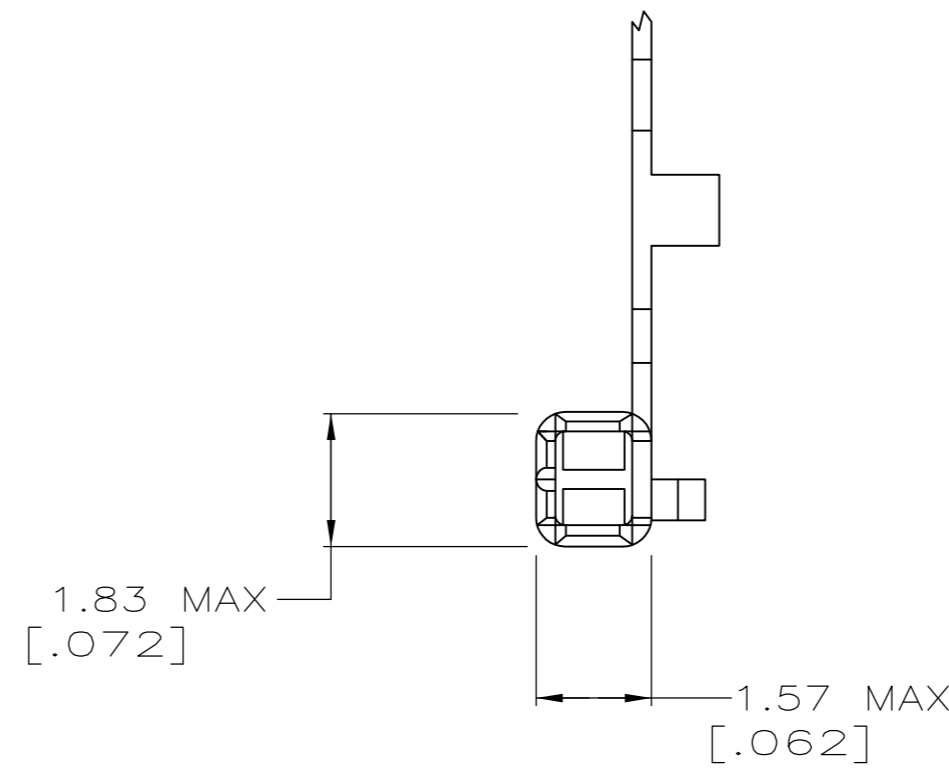
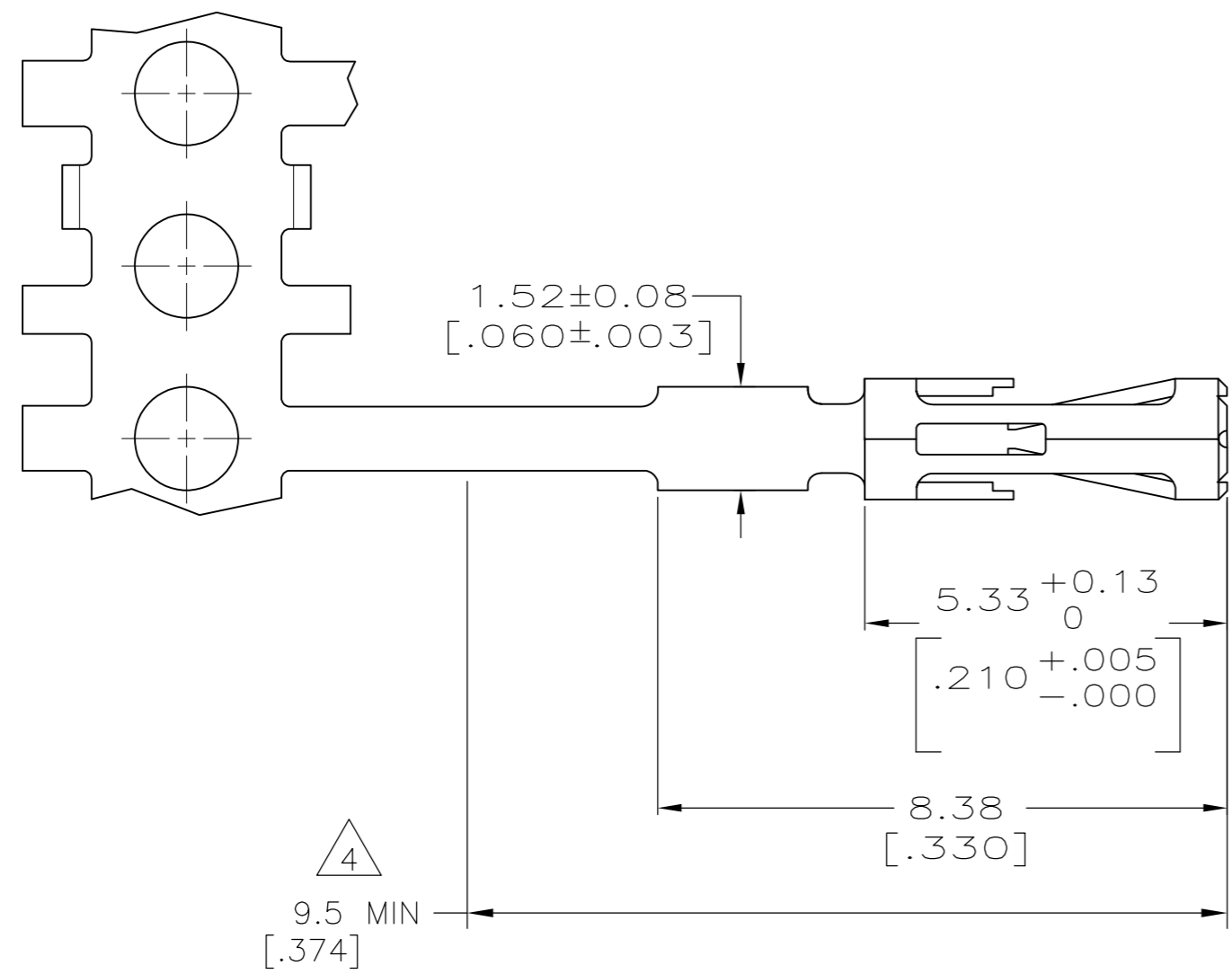


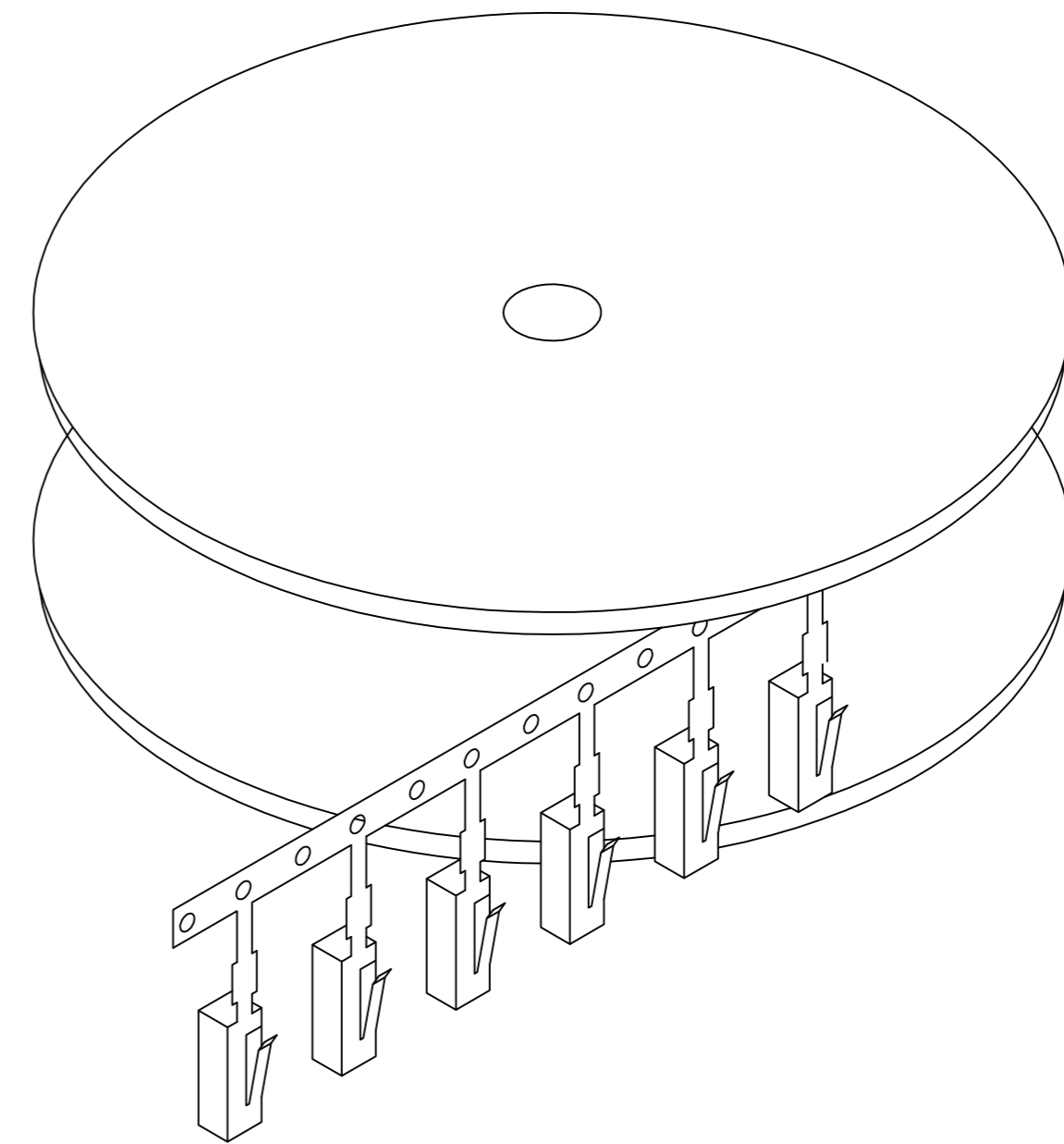
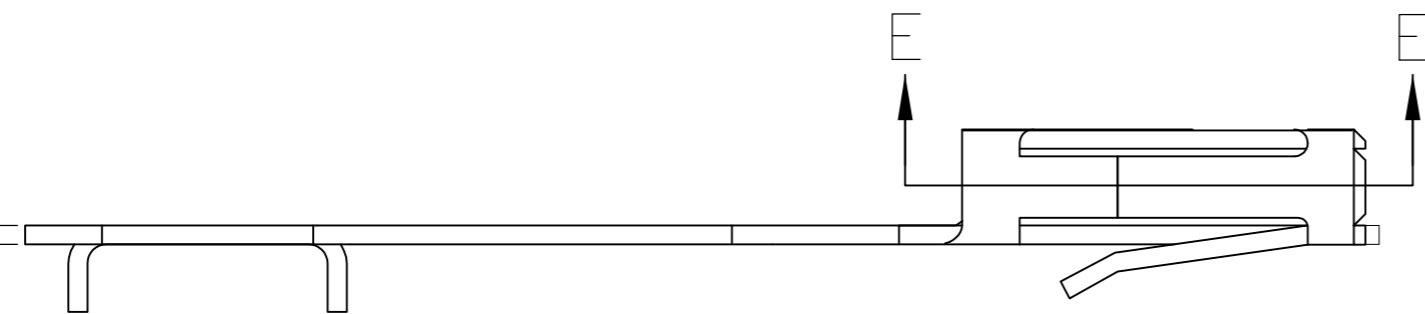
THIS DRAWING IS UNPUBLISHED. RELEASED FOR PUBLICATION
 © COPYRIGHT - By - ALL RIGHTS RESERVED.

LOC	DIST	REVISIONS					
GP	00	P	LTR	DESCRIPTION	DATE	DWN	APVD
		C		REVISED PER ECO-12-023648	07MAR2012	CJV	CWR

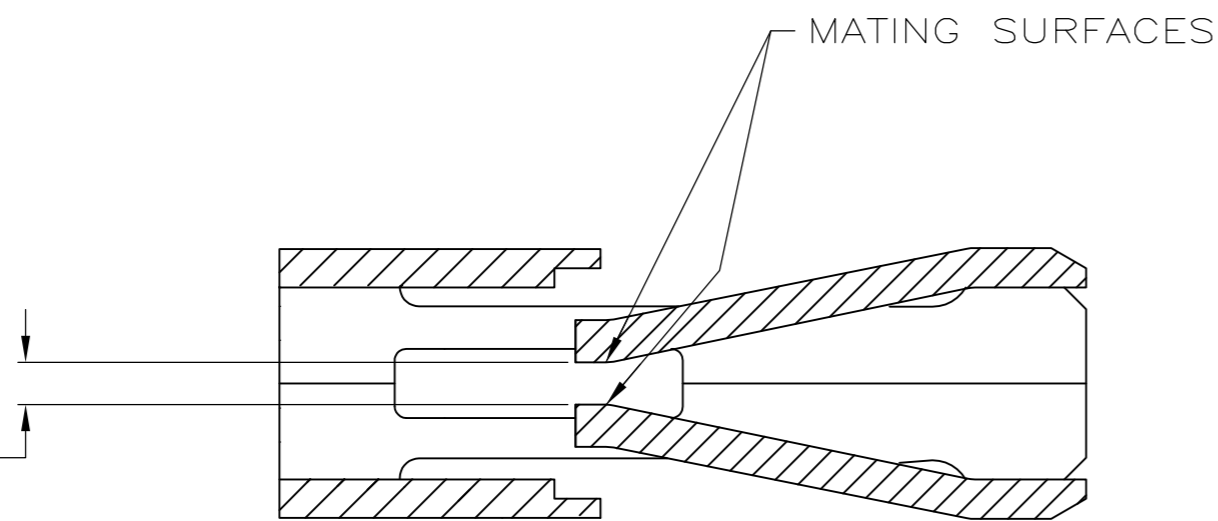


- MATING POST LENGTH ACCEPTED: 0.64[0.025] SQ
SINGLE ROW HOUSING: 5.59-8.20[.220-.323]
DOUBLE ROW HOUSING: 5.97-8.20[.235-.323]
- 1.27µm[.000050] MIN NICKEL UNDERPLATE OVER ENTIRE CONTACT.
- 1.27µm[.000050] MIN GOLD ON MATING SURFACES
-OR-
GOLD FLASH OVER PALLADIUM-NICKEL 1.27µm[.000050] MIN TOTAL THICKNESS ON MATING SURFACES.
- GOLD FLASH COVERAGE AREA.

0.25±0.03
[.010±.001]



0.30 MAX GAP
[.012]



SECTION E-E
SCALE 10:1

788143

788143-2
PART NUMBER

THIS DRAWING IS A CONTROLLED DOCUMENT. DIMENSIONING AND TOLERANCING PER ASME Y14.5M-2009		DWN C.OBERMAN 19 JUN 97	TE Connectivity	
DIMENSIONS: mm [INCHES]		CHK R.STONE 23 JUN 97		
TOLERANCES UNLESS OTHERWISE SPECIFIED:		APVD G.MILLER 23 JUN 97	NAME RECEPTACLE, CONTACT, STANDARD PRESSURE, FFC	
0 PLC ± -	1 PLC ± -	PRODUCT SPEC 108-9024	SIZE A2	CAGE CODE 00779
2 PLC ± 0.13 [.005]	3 PLC ± -	APPLICATION SPEC 114-16015	DRAWING NO C=788143	RESTRICTED TO -
4 PLC ± -	ANGLES ± -	WEIGHT -	SCALE 10:1	SHEET 1 of 1
MATERIAL PHOSPHOR BRONZE	FINISH 2 3	CUSTOMER DRAWING	REV C	